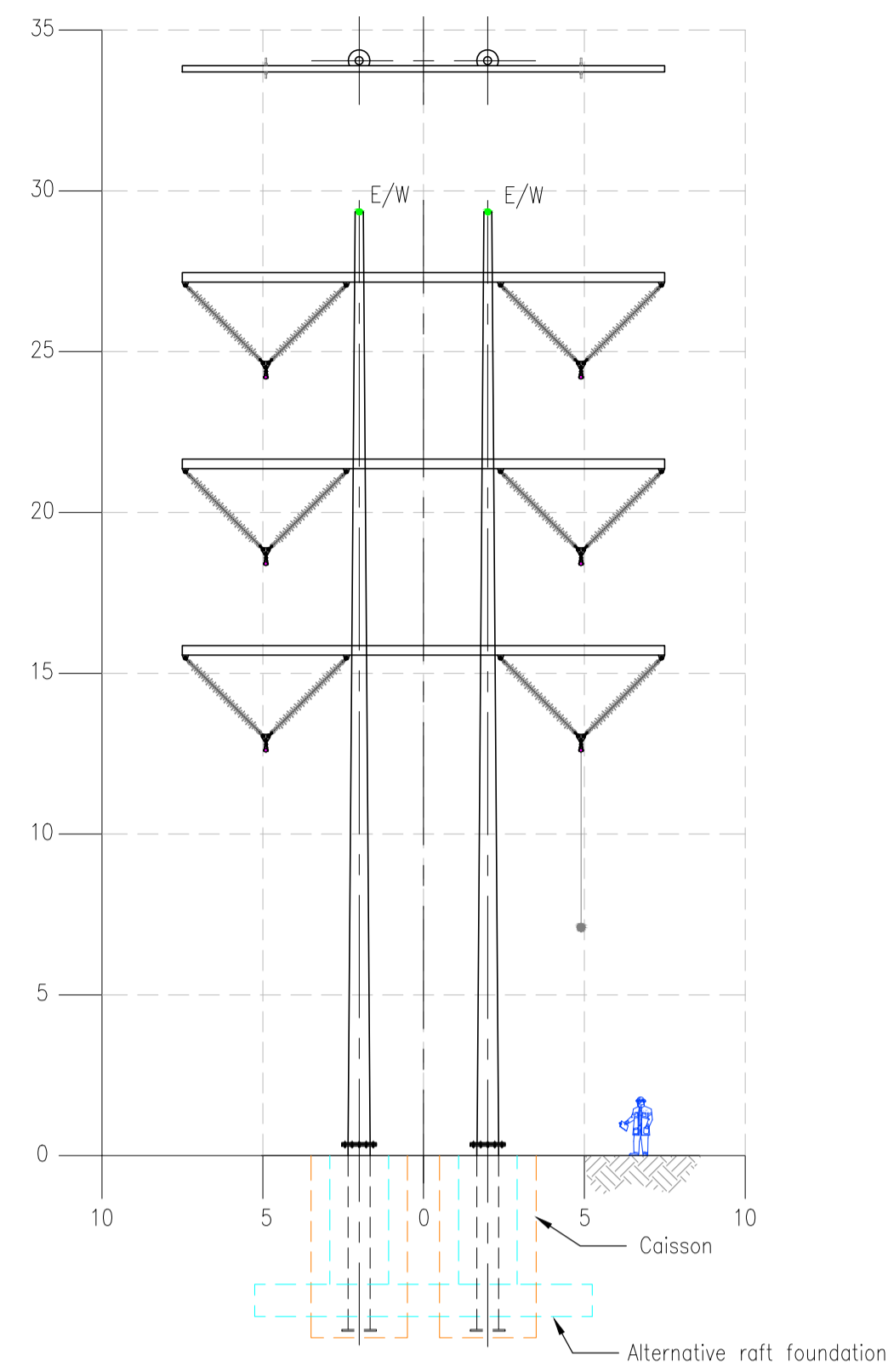


**TRANSVERSE ELEVATION**

SP-02-D, SINGLE-POLE  
3 INSULATED CROSSARMS, INTERMEDIATE (D)  
90SS545-OGA-512 (200m Nominal Span)

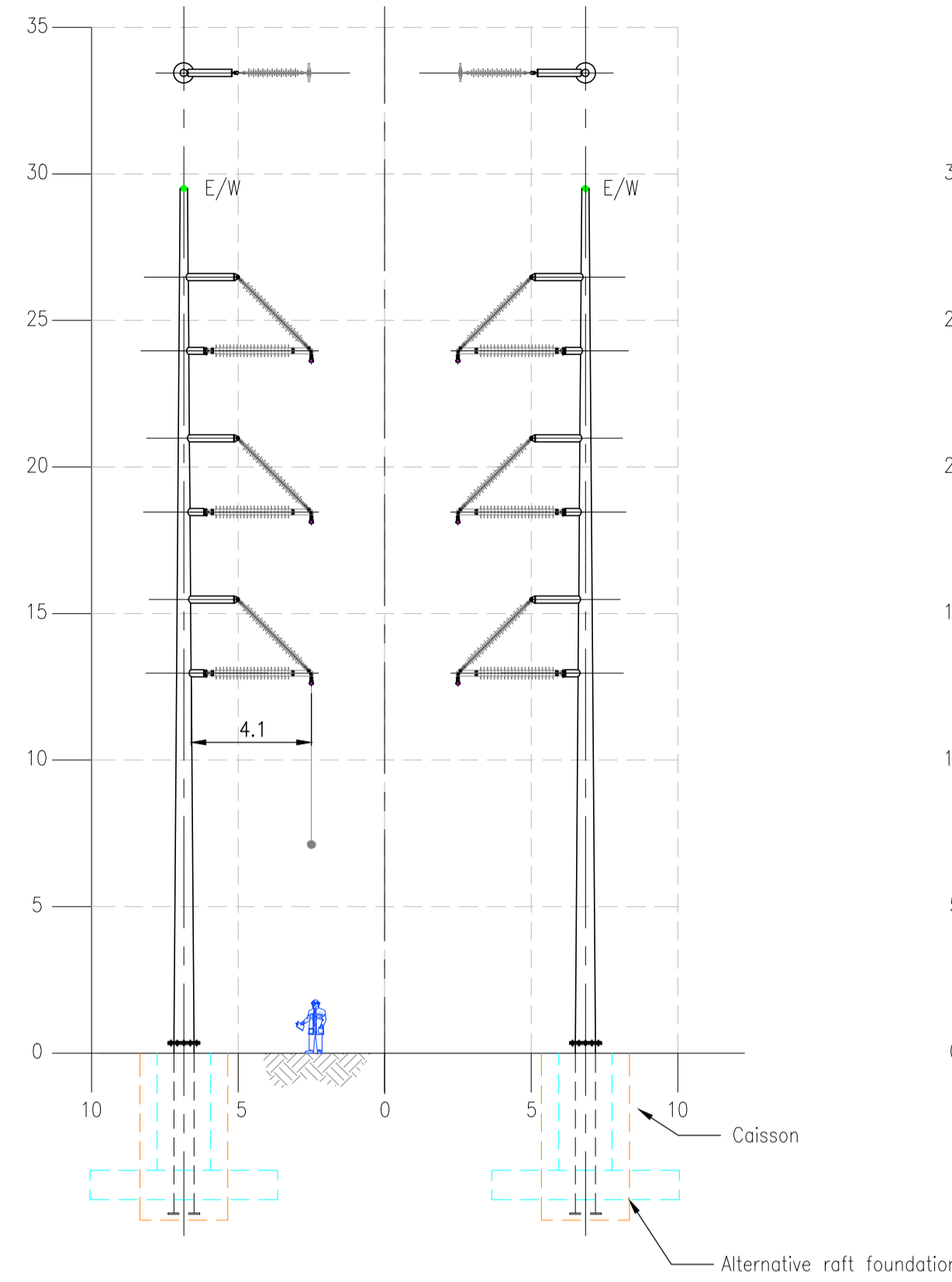
FOR ANGLE AND TERMINAL SUPPORTS  
REFER TO 510 SERIES DRAWINGS



**TRANSVERSE ELEVATION**

MP-01-D, MULTI-POLE  
2 POLES, 3 CROSSARMS, SUSPENSION (D)  
90SS545-OGA-522 (200m Nominal Span)

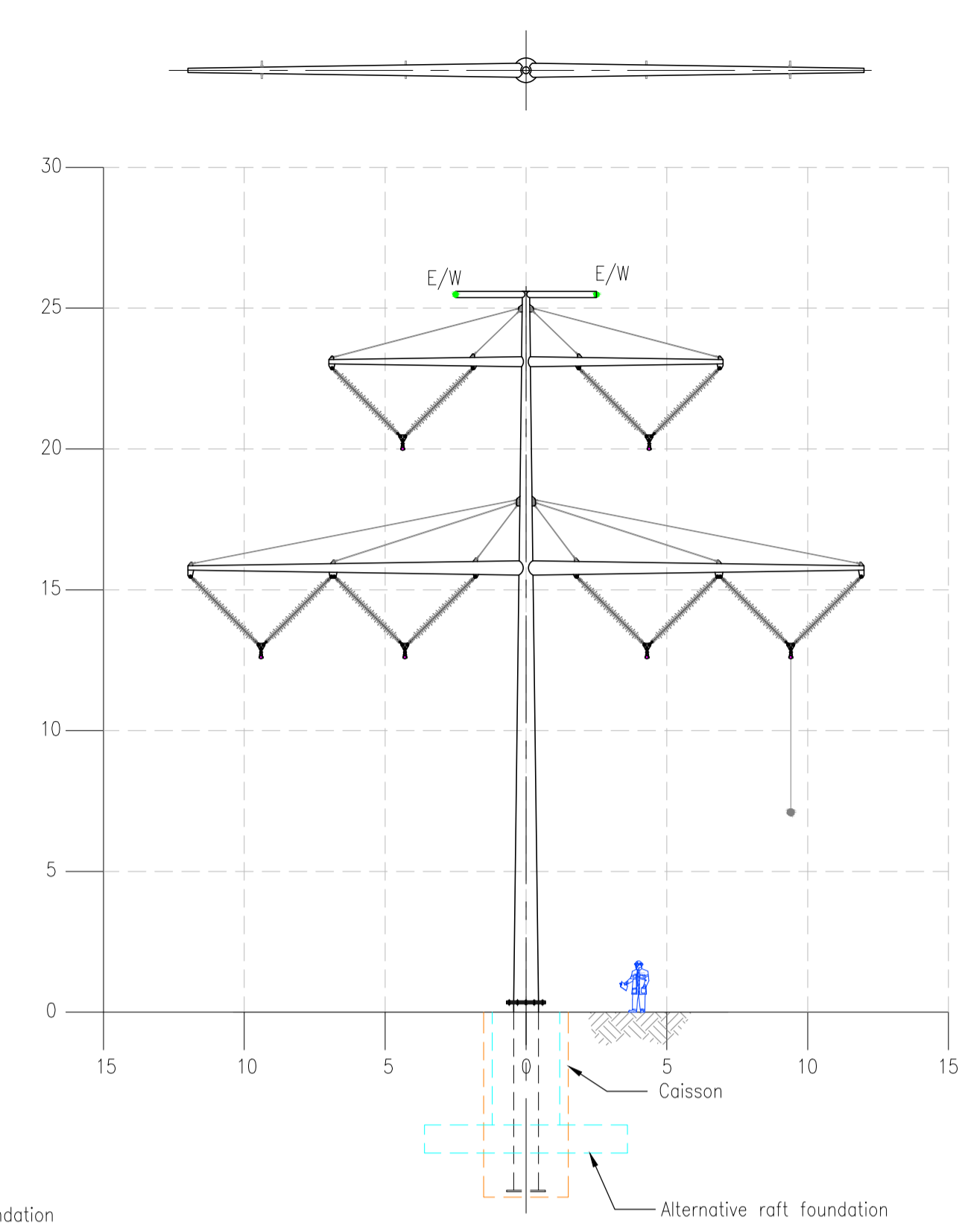
FOR ANGLE AND TERMINAL SUPPORTS  
REFER TO 520 SERIES DRAWINGS



**TRANSVERSE ELEVATION**

MP-02-D, MULTI-POLE, 2 SINGLE POLES,  
3 INSULATED CROSSARMS, INTERMEDIATE (D)  
90SS545-OGA-532 (200m Nominal Span)

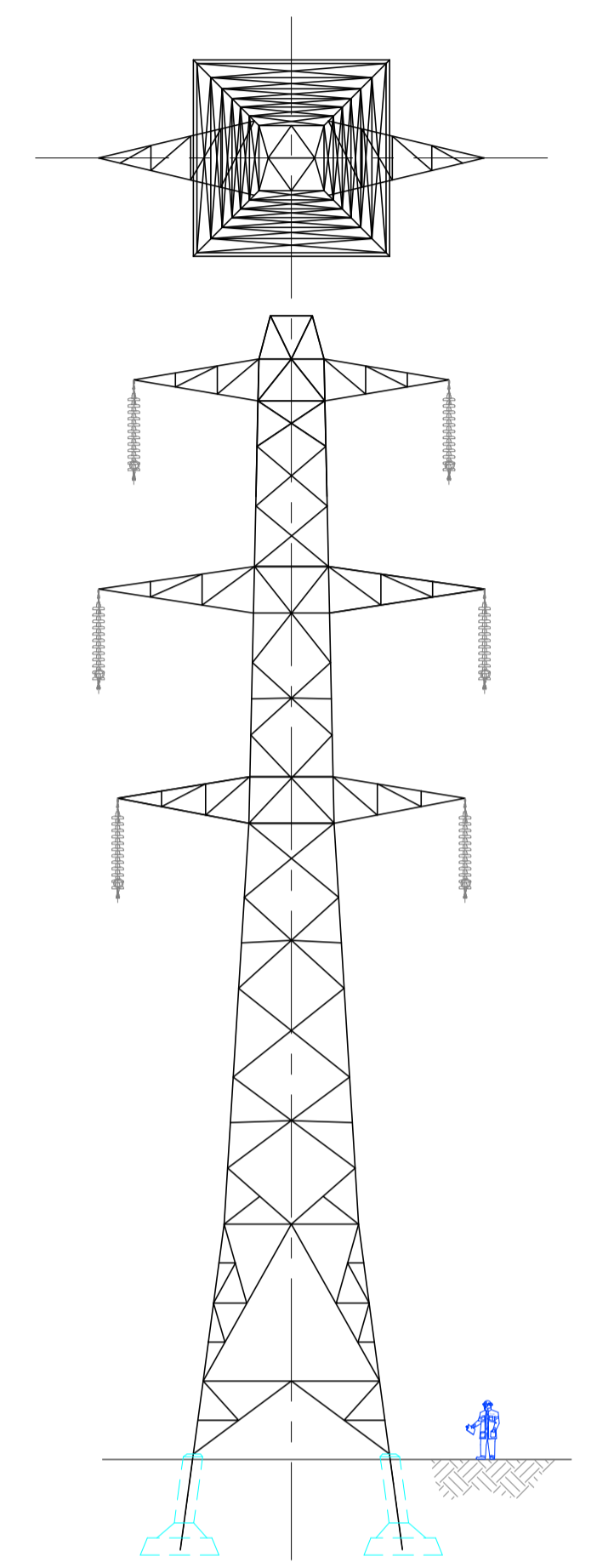
FOR ANGLE AND TERMINAL SUPPORTS  
REFER TO 530 SERIES DRAWINGS



**TRANSVERSE ELEVATION**

SP-05-D, SINGLE-POLE  
2 TUBULAR CROSSARMS, SUSPENSION (D)  
90SS545-OGA-542 (200m Nominal Span)

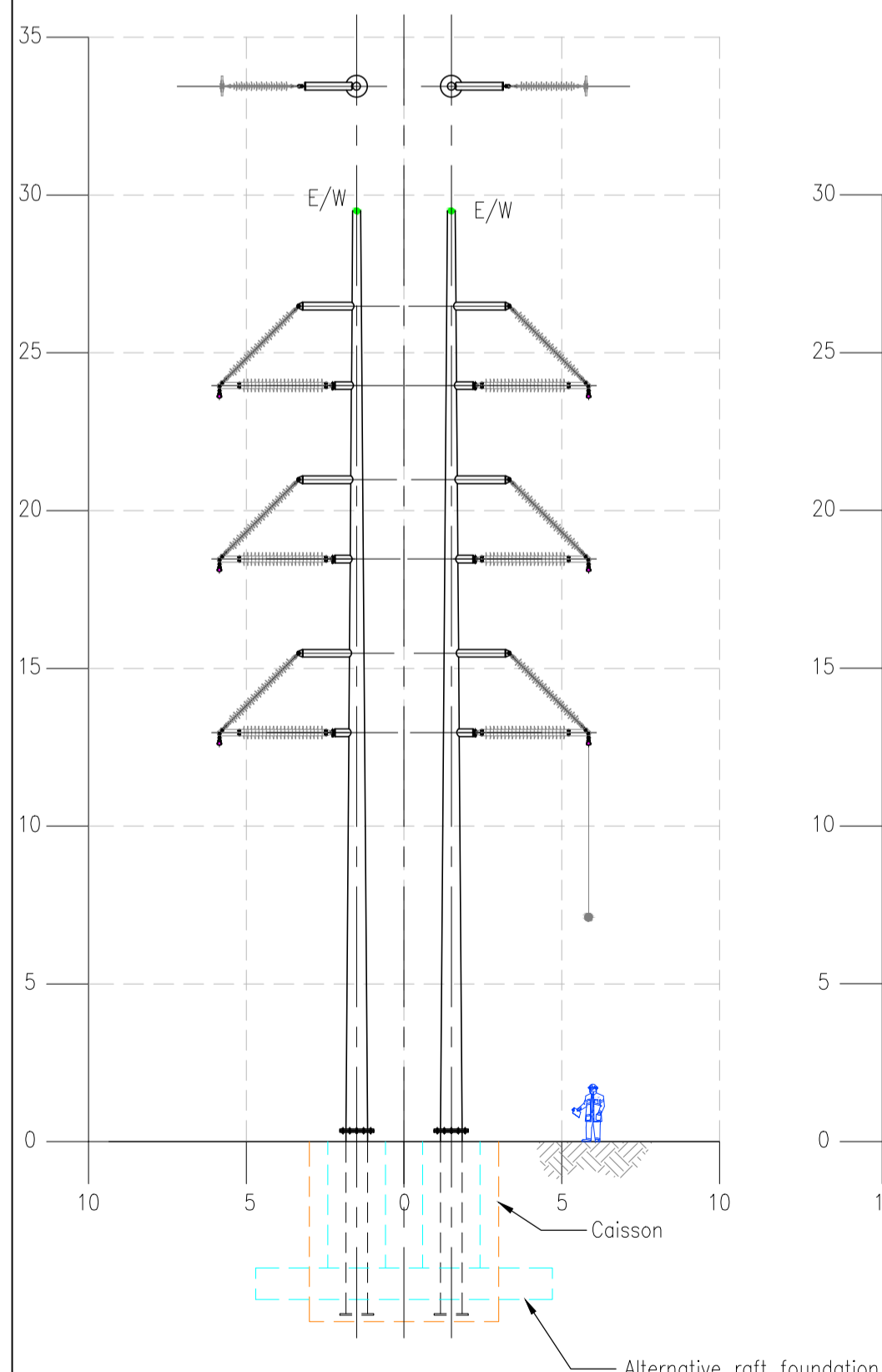
FOR ANGLE AND TERMINAL SUPPORTS  
REFER TO 540 SERIES DRAWINGS



**TRANSVERSE ELEVATION**

L8C RD M4.9 SUSPENSION TOWER  
275kV

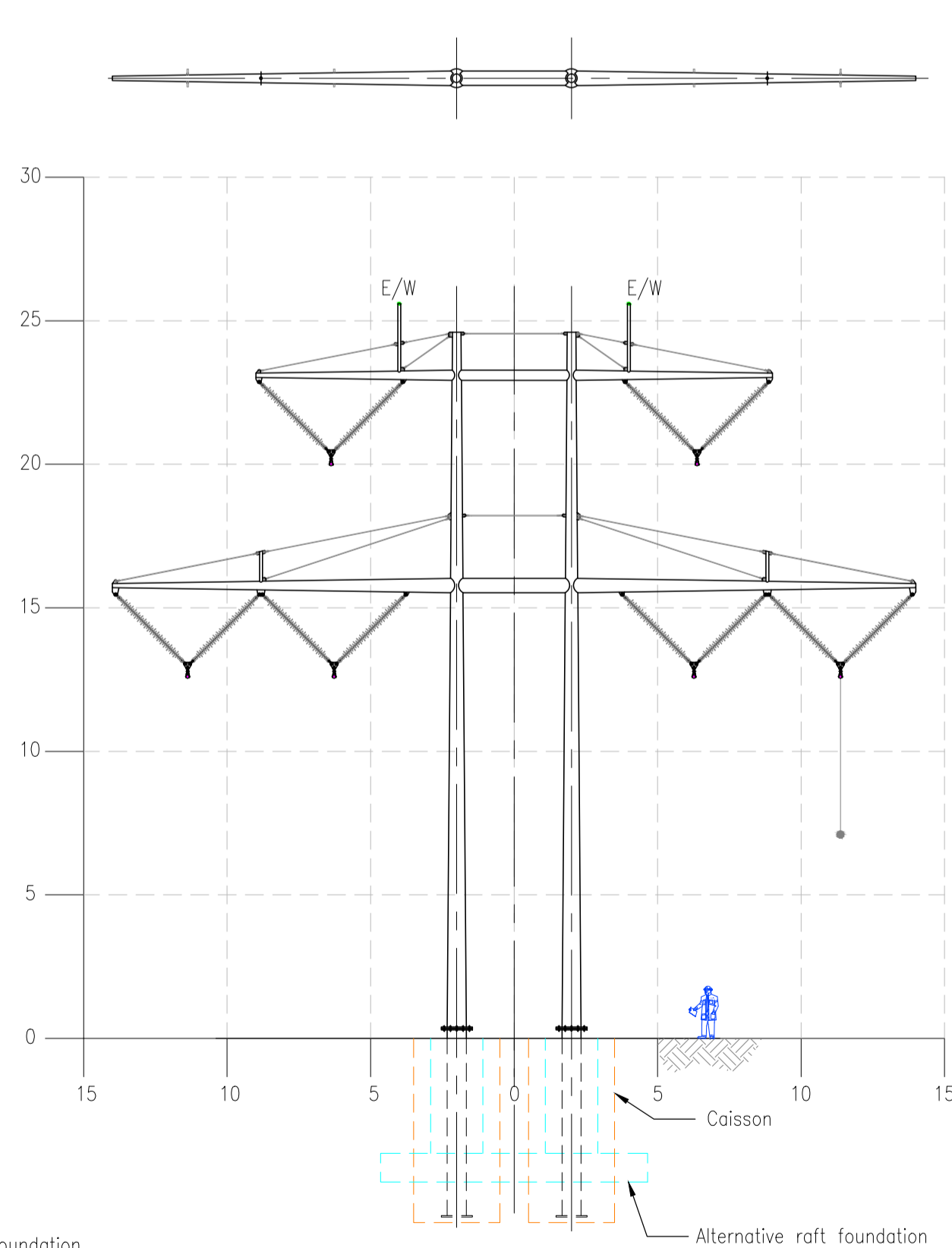
SHOWN FOR COMPARISON ONLY



**TRANSVERSE ELEVATION**

MP-03-D, MULTI-POLE, 2 SINGLE POLES,  
3 INSULATED CROSSARMS, EXTERNAL CONFIGURATION SUSPENSION (D)  
90SS545-OGA-552 (200m Nominal Span)

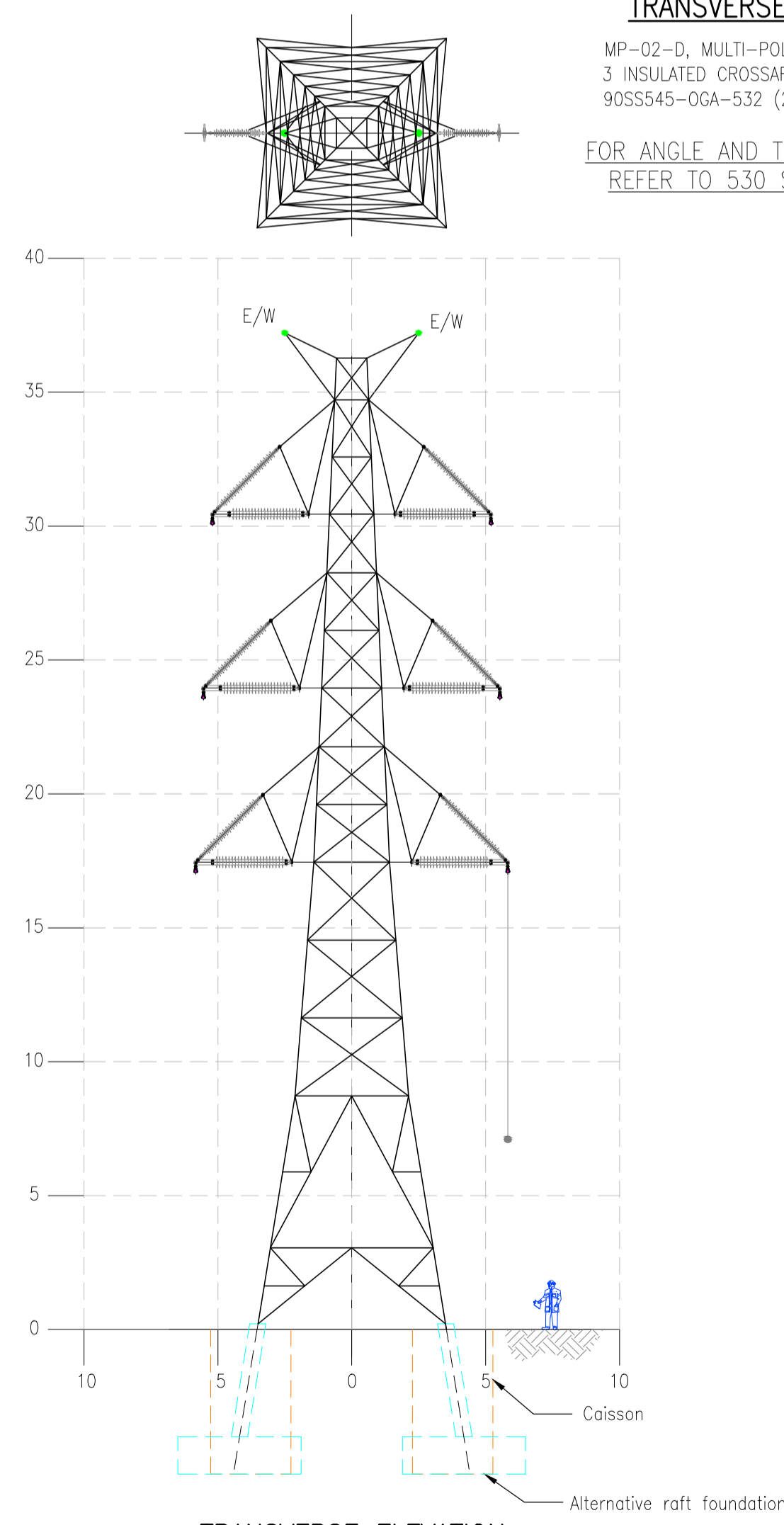
FOR ANGLE AND TERMINAL SUPPORTS  
REFER TO 550 SERIES DRAWINGS



**TRANSVERSE ELEVATION**

MP-04-D, MULTI-POLE  
2 POLES, 2 TUBULAR CROSSARMS, SUSPENSION (D)  
90SS545-OGA-562 (200m Nominal Span)

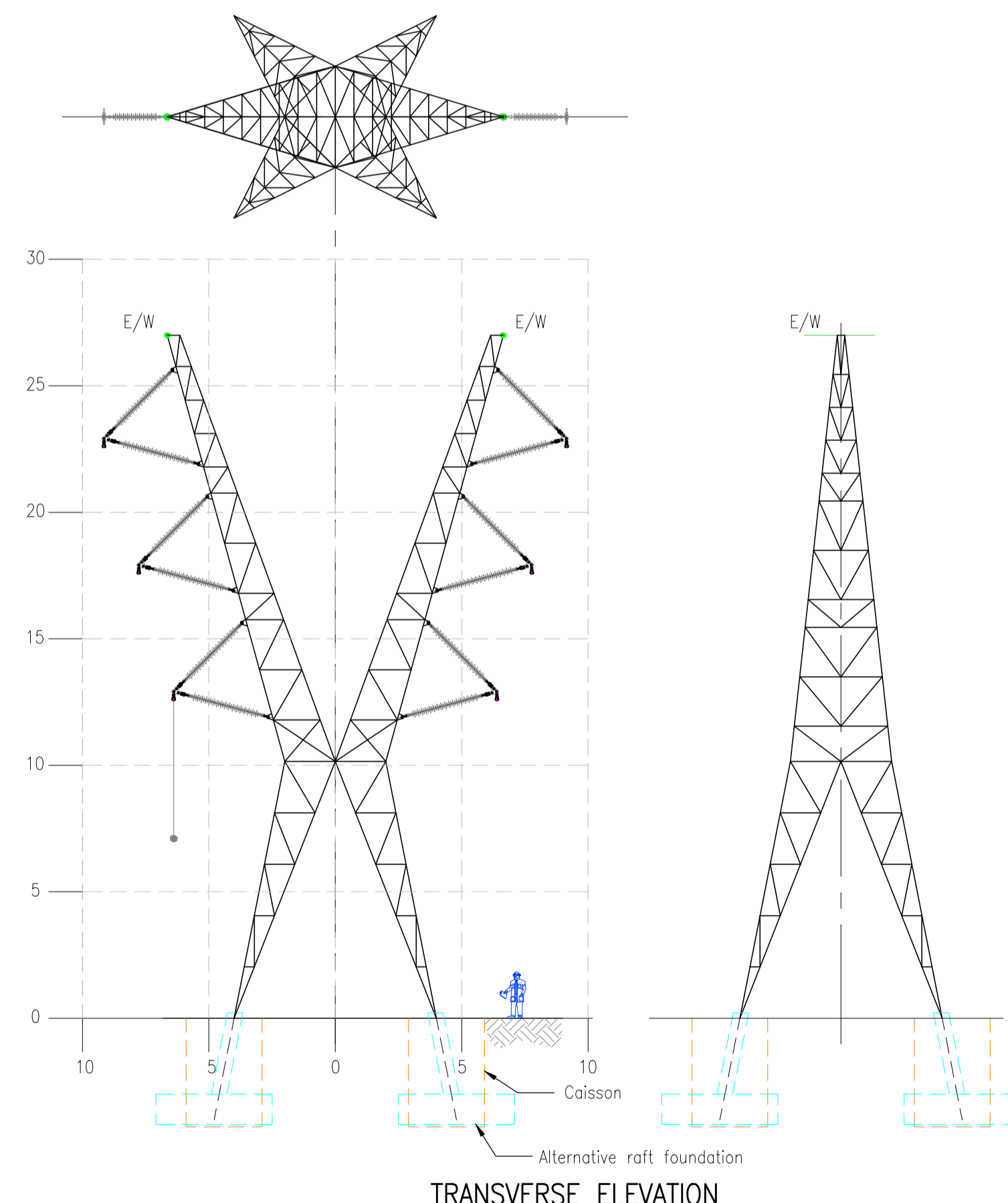
FOR ANGLE AND TERMINAL SUPPORTS  
REFER TO 560 SERIES DRAWINGS



**TRANSVERSE ELEVATION**

LT-6-D, LATTICE STEEL SUPPORT  
3 CROSSARM - ICA, INTERMEDIATE (D)  
90SS545-OGA-572 (300m Nominal Span)

FOR ANGLE AND TERMINAL SUPPORTS  
REFER TO 570 SERIES DRAWINGS



**TRANSVERSE ELEVATION**

LT-7-D, LATTICE STEEL SUPPORT  
2 ARM V - ICA, INTERMEDIATE (D)  
90SS545-OGA-582 (200m Nominal Span)

FOR ANGLE AND TERMINAL SUPPORTS  
REFER TO 580 SERIES DRAWINGS

1	24:06:15	Issued for discussion	JP	JS	MDL
ISSUE	DATE	REVISION	DRAWN	CHKD	APPD
YORK HOUSE, 9 YORK PLACE, KNARESBOROUGH HG5 0AD TEL: 01423-799950					
<b>TITLE</b> GENERAL ARRANGEMENT OF SHORTLISTED INTERMEDIATE SUPPORT DESIGNS					
<b>ROUTE / CIRCUIT</b> NEW 275kV SUPPORT PROJECT					
<b>ENERGYLINE PROJECT / DRG No.</b> 90SS545-OGA-500			<b>SHT No.</b> 1	<b>No. OF SHTS</b> 1	
<b>CLIENT</b> 			<b>CLIENTS PROJECT REF.</b> *		
<b>CLIENTS DRG No.</b> *			<b>SCALE</b> NTS	<b>NTS</b> DWG	
			<b>ELEC FORM</b> DWG	<b>SHT SIZE</b> A1	
1					